



Thermal Radiator Valve

Product Catalog



Shanghai Beok Controls Co.,Ltd
Shine Wang
+86-21-33880317
shine.wang@beok-controls.com
www.beok-controls.com



Shanghai Beok Controls Co.,Ltd
Shine Wang
+86-21-33880317
shine.wang@beok-controls.com
www.beok-controls.com



CONTENTS

Zigbee Radiator Actuator

TRV-601 TRV-602
TRV-803ZB TRV-804ZB
TRV-705ZB

Wi-Fi Radiator Actuator

TRV-603 TRV-604
TRV-803WF TRV-804WF
TRV-705WF

Accessories

Gateway WLN-03X

About BEOK

Certificates
Our factory

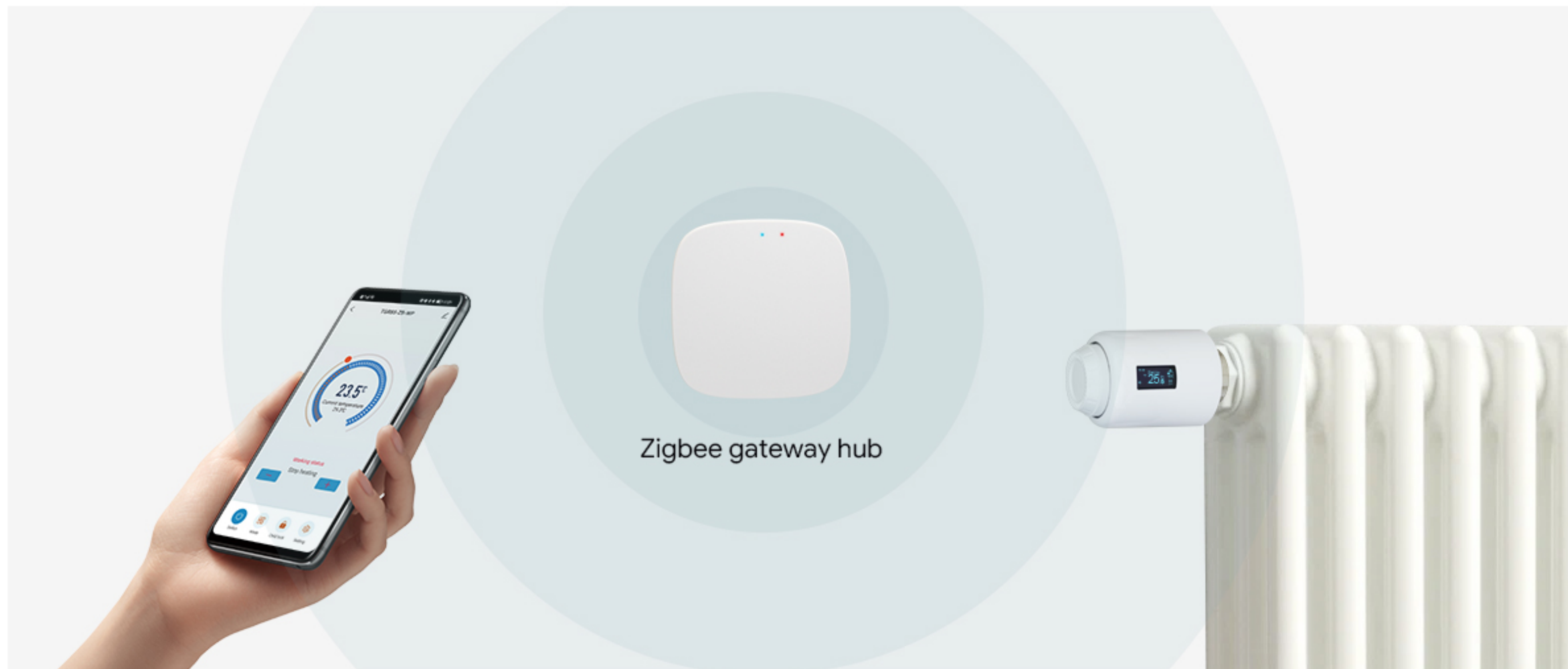
01

Zigbee

Radiator Actuator



Remote control via Zigbee



Networking function through Zigbee gateway.



Install *Smart Life* or *Tuya Smart* App on your phone to remotely control the thermostat valve.



Voice control of the thermostatic valve is possible through the voice assistant *Google Home* or *Alexa*.



TRV601



TRV602



TRV803ZB

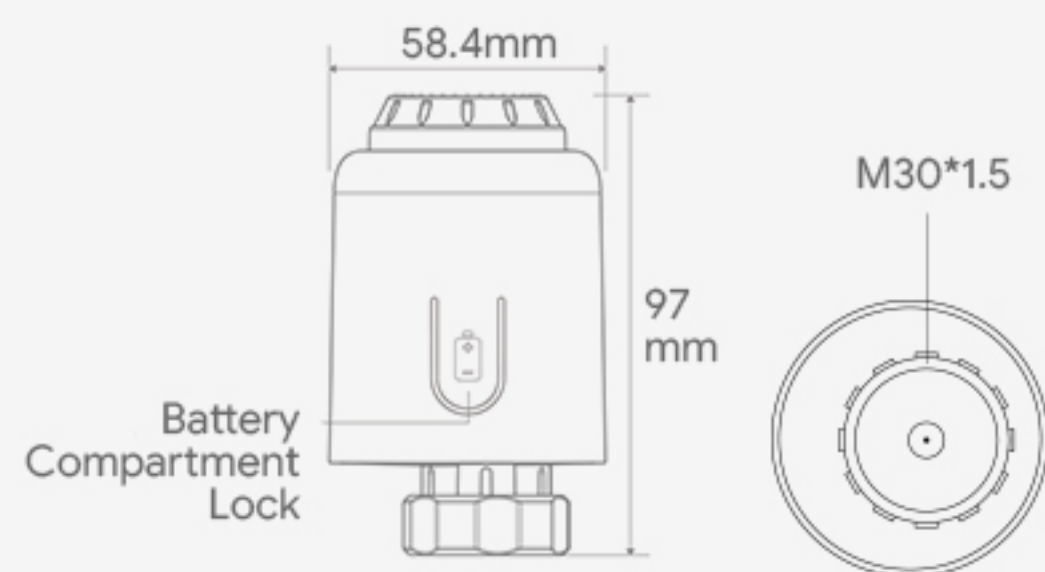


TRV804ZB



TRV-705ZB

TRV-601



Application: Radiator heating system
Power supply: 3*1.5V AA battery
Current Consumption: 100mA Max
Temperature Setting range: 5~35°C
Display Accuracy: 0.5°C

Thread size: M30*1.5
Linear Travel: 4.3mm
Ambient Temperature: -5~50°C
Dimension(L/H/W):
58.4*97*58.4mm

Weight: 0.20kg
Protection Level: IP20
Wireless Gateway App: Tuya
Smart/Smart Life
Voice Control: Alexa/Google Home



 Weekly Programmable

 Multi-language interface

 Safety lock

 Anti-scale

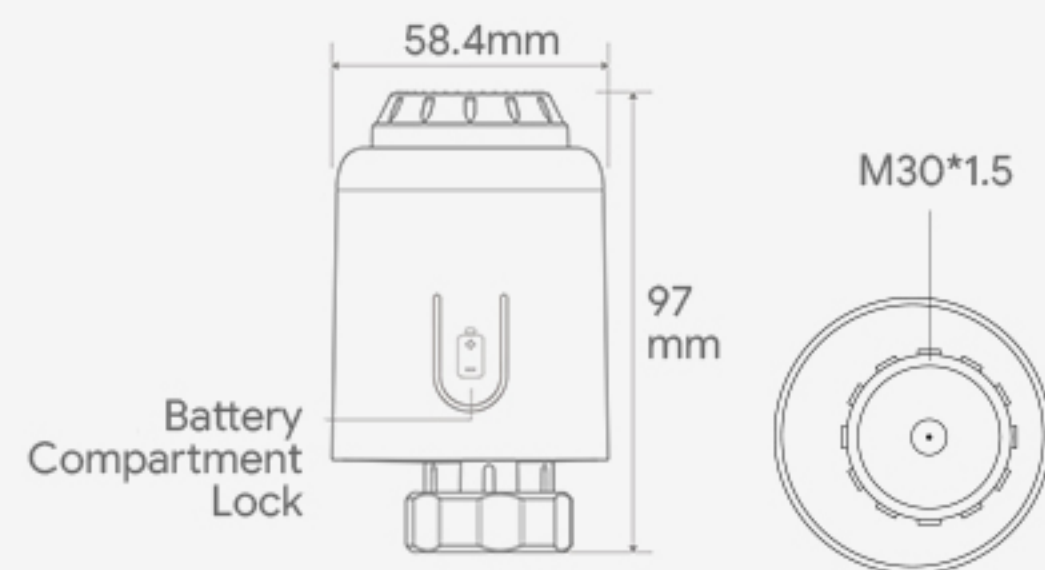
 Temperature calibration

 Statistics

 Open window detection

 Adjustable backlight

TRV-602



Application: Radiator heating system
Power supply: 3*1.5V AA battery
Current Consumption: 100mA Max
Temperature Setting range: 5~35°C

Display Accuracy: 0.5°C
Thread size: M30*1.5
Linear Travel: 4.3mm
Ambient Temperature: -5~50°C

Dimension(L/H/W): 58.4*97*58.4mm
Weight: 0.20kg
Protection Level: IP20



Weekly Programmable

Multi-language interface

Safety lock

Anti-scale

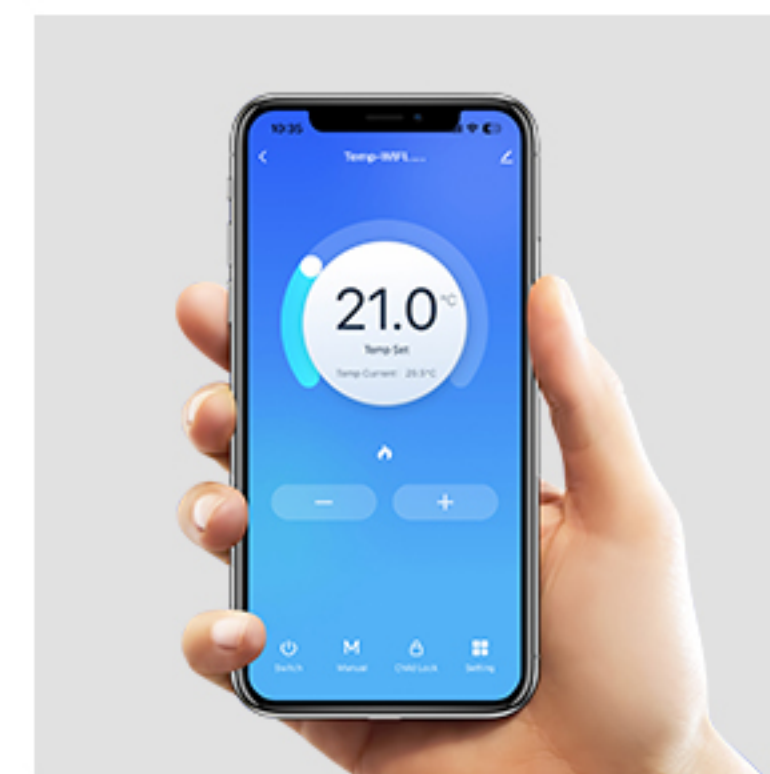
Temperature calibration

Statistics

Open window detection

Adjustable backlight

TRV-803ZB



Power Supply: 3x1.5 V Alkaline AA batteries (not included)

Storage temperature: -10°C~85°C

Standby Current: 6uA Min

Protection Degree: IP 20

Ambient Temperature: 0~50°C

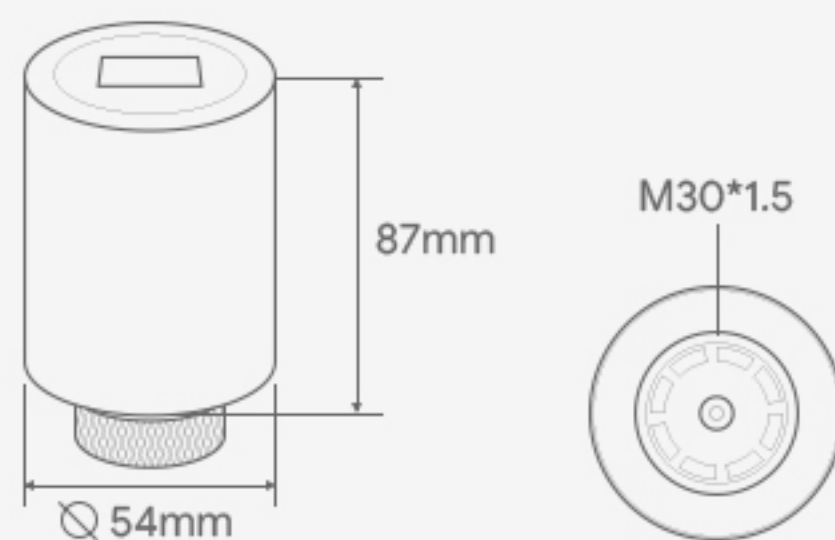
Surface Temperature: 90°C Max (at the radiator)

Connection: M30X1.5mm

Linear Travel: 6mm

Dimensions(WxHxD): 54mmx89mmx54mm

Weight: 139g



- Weekly Programmable
- Open window detection
- Safety lock
- Anti-scale
- Temperature calibration
- Statistics
- Adjustable backlight

TRV-804ZB



Power Supply: 3x1.5 V Alkaline AA batteries (not included)

Storage temperature: -10°C~85°C

Standby Current: 6uA Min

Protection Degree: IP 20

Ambient Temperature: 0~50°C

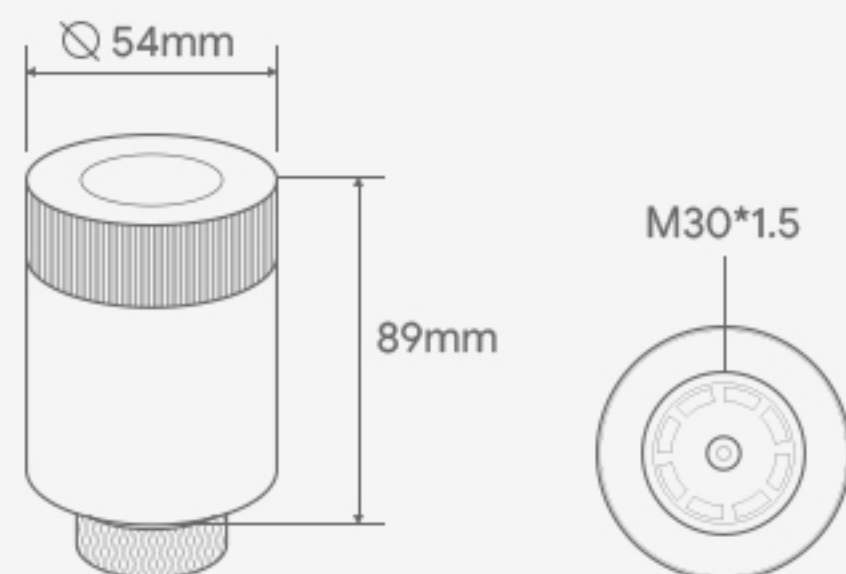
Surface Temperature: 90°C Max (at the radiator)

Connection: M30X1.5mm

Linear Travel: 6mm

Dimensions(WxHxD): 54mmx89mmx54mm

Weight: 139g

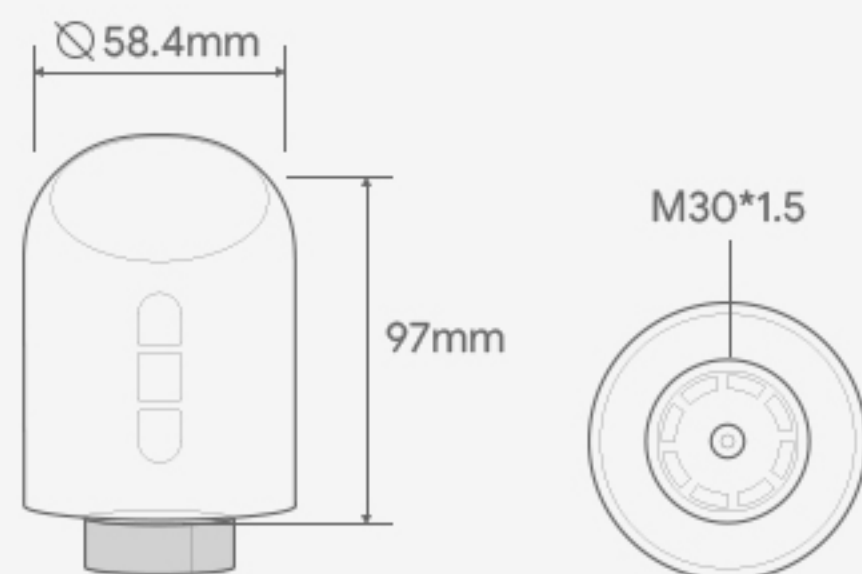


- Weekly Programmable
- Open window detection
- Safety lock
- Anti-scale
- Temperature calibration
- Statistics
- Adjustable backlight

TRV-705ZB



Power Supply: 3 x 1.5 V AA batteries
Current Consumption: 100mA Max
Protection Degree: IP20
Ambient Temperature: 0~50°C
Surface Temperature: 90°C Max (at the radiator)
Connection: M30 x 1.5mm
Linear Travel: 4.3mm
Dimensions(W x H x D): 58.4mm x 97mm x 58.4mm
Weight: 210 g



- Weekly Programmable
- Multi-language interface
- Safety lock
- Anti-scale
- Temperature calibration
- Statistics
- Open window detection
- Adjustable backlight

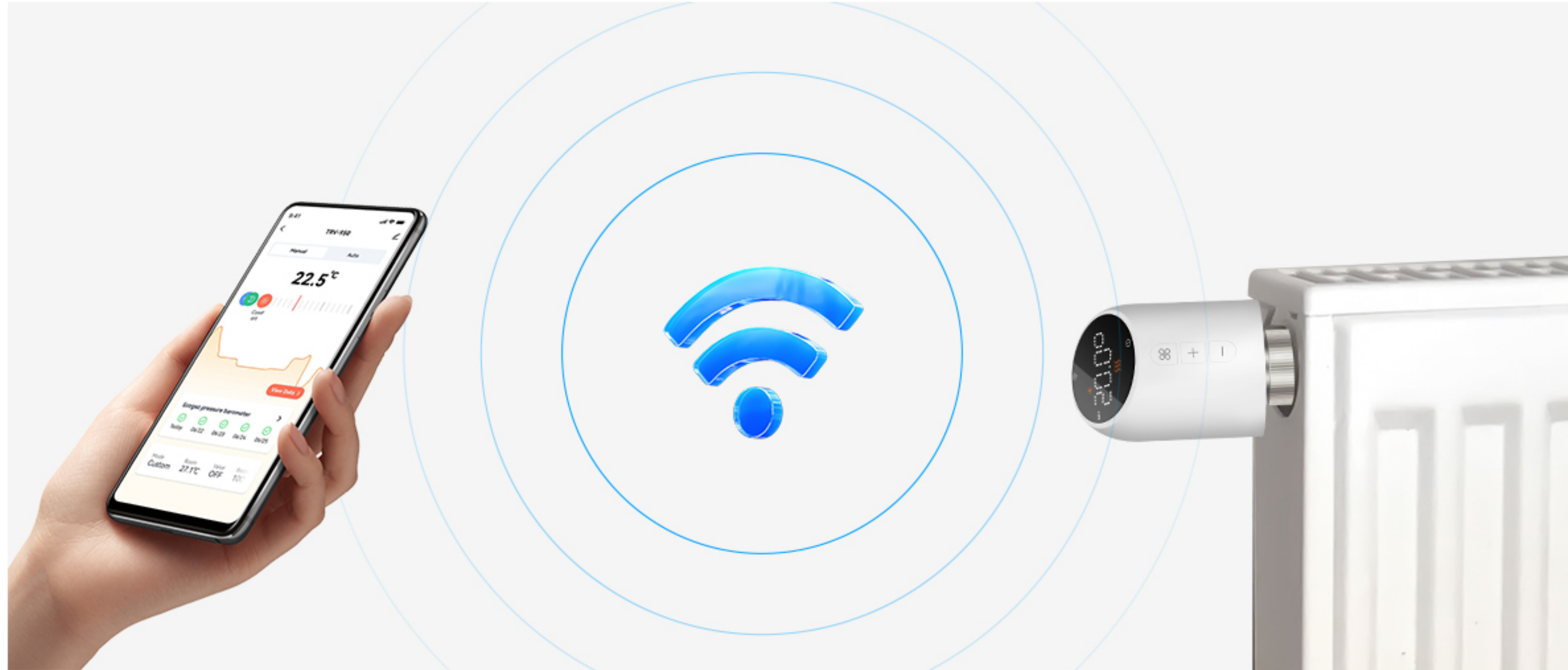
02

Wi-Fi

Radiator Actuator



Remote control via Wi-Fi



TRV603



TRV604



TRV803WF



TRV804WF



TRV-705WF



Wi-Fi model, simple setup to realize networking function. No Zigbee gateway device required

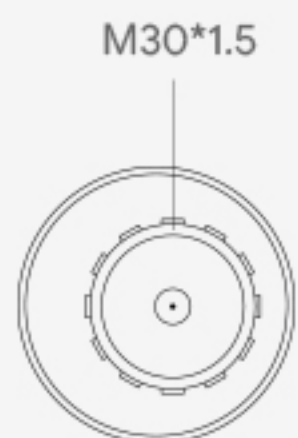
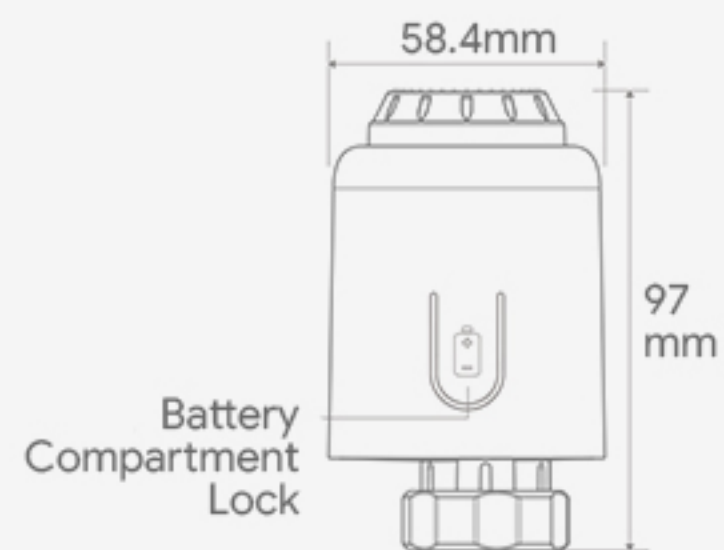


Install *Smart Life* or *Tuya Smart* App on your phone to remotely control the thermostat valve.



Voice control of the thermostatic valve is possible through the voice assistant *Google Home* or *Alexa*.

TRV-603



Application: Radiator heating system
Power supply: 3*1.5V AA battery
Current Consumption: 100mA Max
Temperature Setting range: 5~35°C

Display Accuracy: 0.5°C
Thread size: M30*1.5
Linear Travel: 4.3mm
Ambient Temperature: -5~50°C

Dimension(L/H/W): 58.4*97*58.4mm
Weight: 0.20kg
Protection Level: IP20



 Weekly Programmable

 Multi-language interface

 Safety lock

 Anti-scale

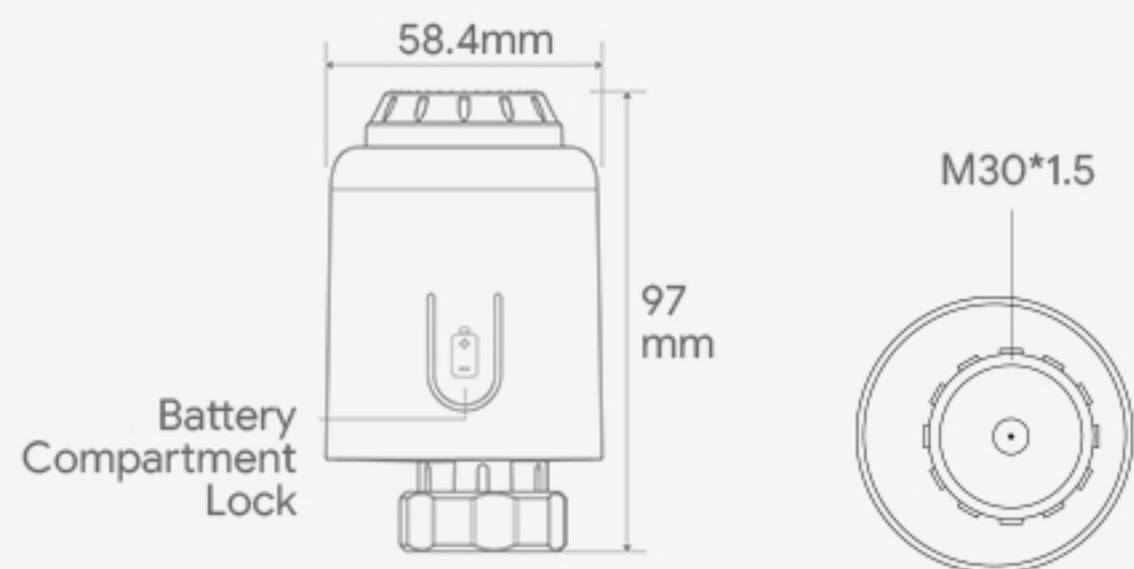
 Temperature calibration

 Statistics

 Open window detection

 Adjustable backlight

TRV-604



Application: Radiator heating system
Power supply: 3*1.5V AA battery
Current Consumption: 100mA Max
Temperature Setting range: 5~35°C

Display Accuracy: 0.5°C
Thread size: M30*1.5
Linear Travel: 4.3mm
Ambient Temperature: -5~50°C

Dimension(L/H/W): 58.4*97*58.4mm
Weight: 0.20kg
Protection Level: IP20



 Weekly Programmable

 Multi-language interface

 Safety lock

 Anti-scale

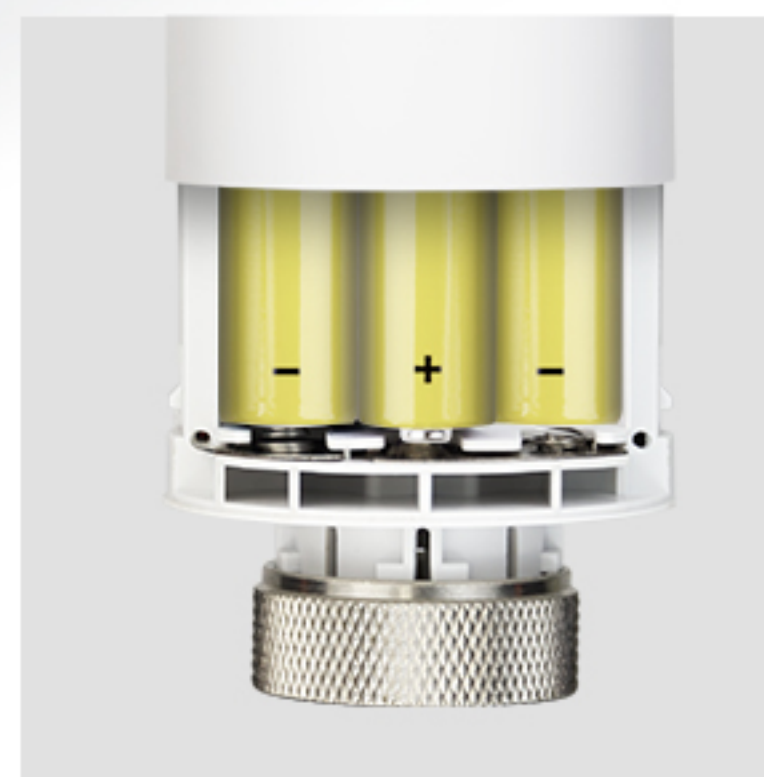
 Temperature calibration

 Statistics

 Open window detection

 Adjustable backlight

TRV-803WF



Power Supply: 3x1.5 V Alkaline AA batteries (not included)

Storage temperature: -10°C~85°C

Standby Current: 6uA Min

Protection Degree: IP 20

Ambient Temperature: 0~50°C

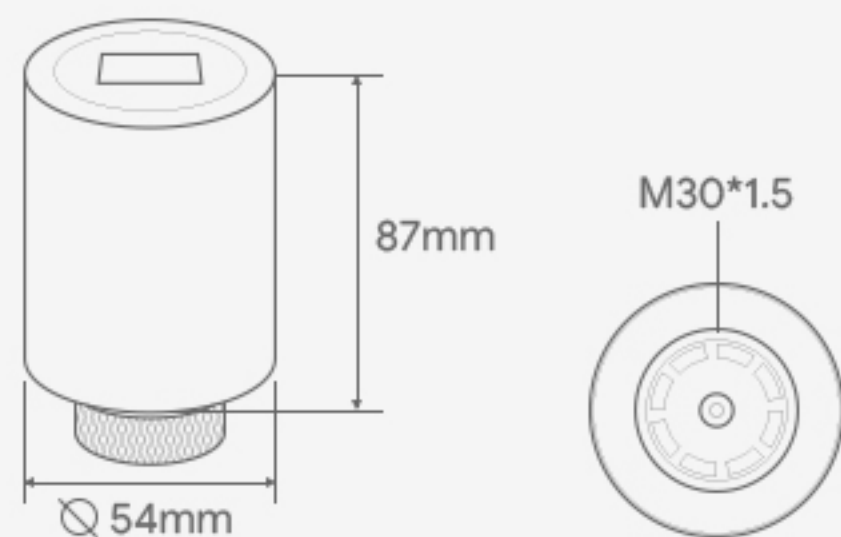
Surface Temperature: 90°C Max (at the radiator)

Connection: M30X1.5mm

Linear Travel: 6mm

Dimensions(WxHxD): 54mmx89mmx54mm

Weight: 139g



Weekly Programmable



Open window detection



Safety lock



Anti-scale



Temperature calibration

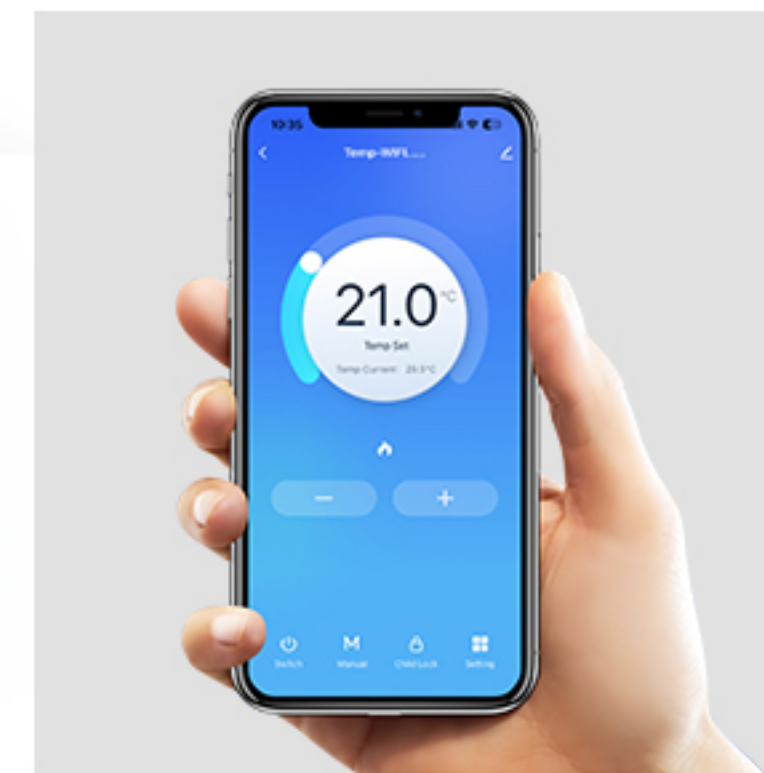


Statistics



Adjustable backlight

TRV-804WF



Power Supply: 3x1.5 V alkaline AA batteries (not included)

Storage temperature: -10°C~85°C

Standby Current: 6uA Min

Protection Degree: IP 20

Ambient Temperature: 0~50°C

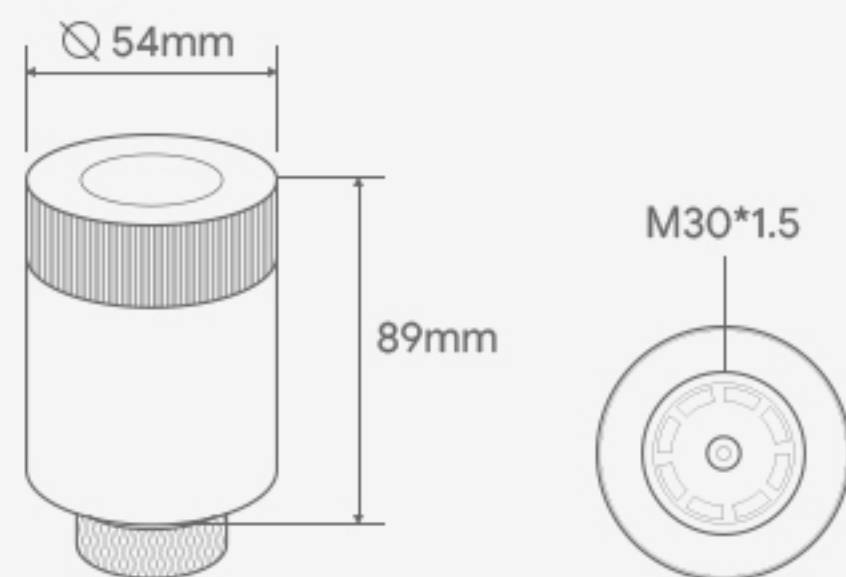
Surface Temperature: 90°C Max (at the radiator)

Connection: M30X1.5mm

Linear Travel: 6mm

Dimensions(WxHxD): 54mmx89mmx54mm

Weight: 139g



Weekly Programmable



Open window detection



Safety lock



Anti-scale



Temperature calibration



Statistics

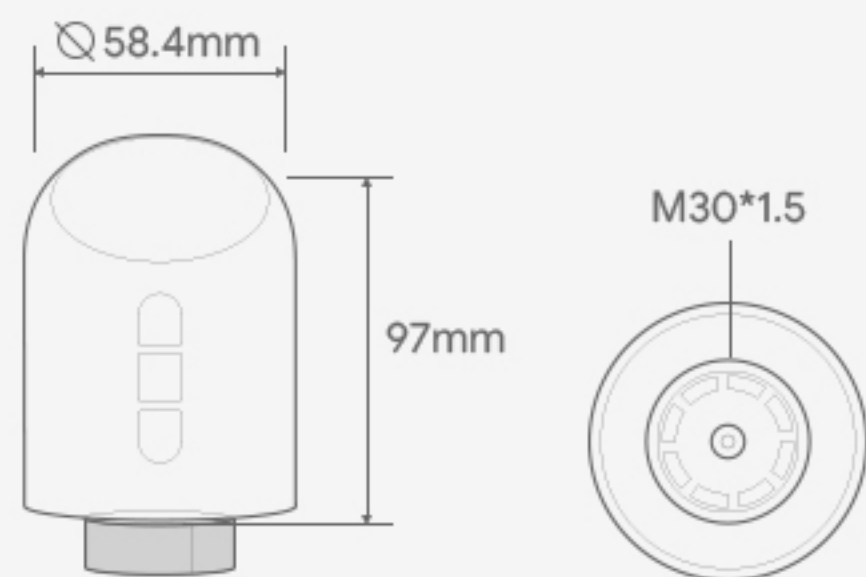


Adjustable backlight

TRV-705WF



Power Supply: 3 x 1.5 V AA batteries
Current Consumption: 100mA Max
Protection Degree: IP20
Ambient Temperature: 0~50°C
Surface Temperature: 90°C Max (at the radiator)
Connection: M30 x 1.5mm
Linear Travel: 4.3mm
Dimensions(W x H x D): 58.4mm x 97mm x 58.4mm
Weight: 210 g



- Weekly Programmable
- Multi-language interface
- Safety lock
- Anti-scale
- Temperature calibration
- Statistics
- Open window detection
- Adjustable backlight

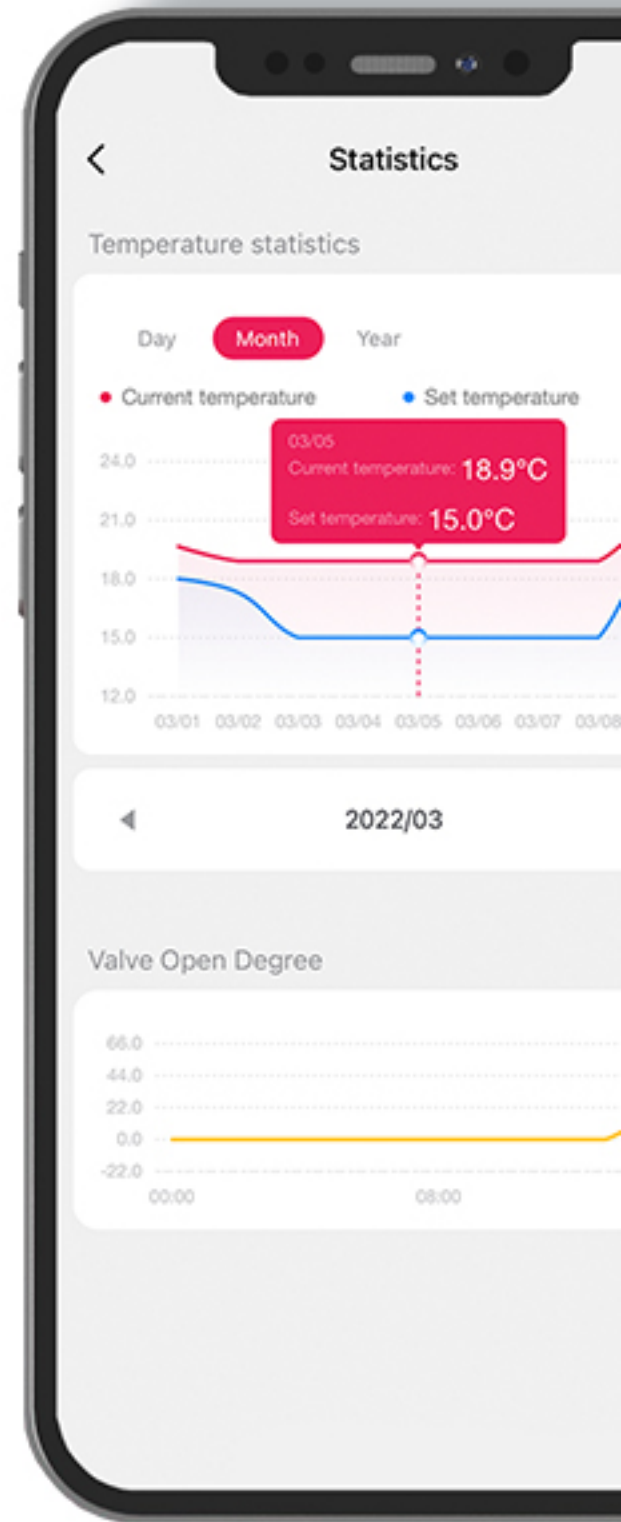
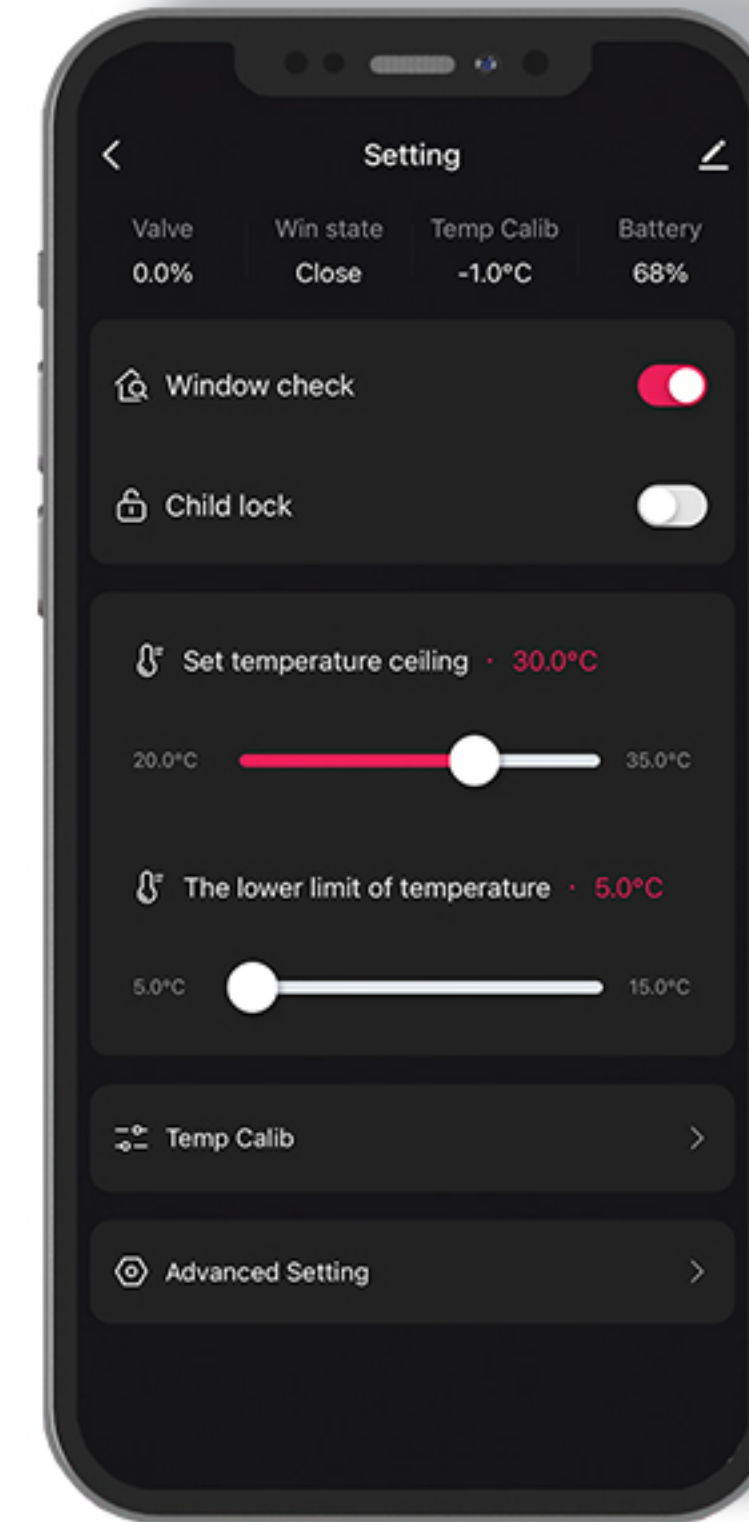
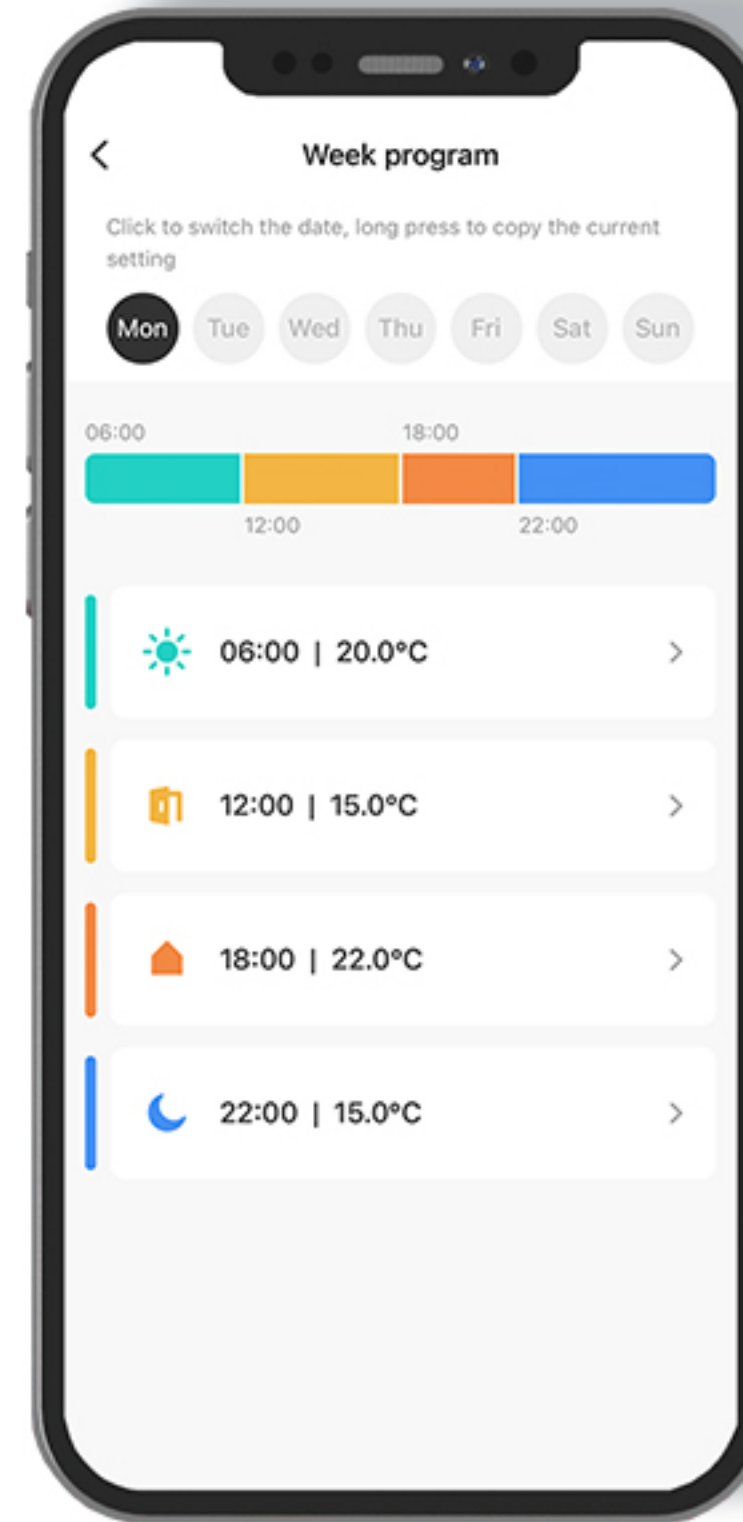
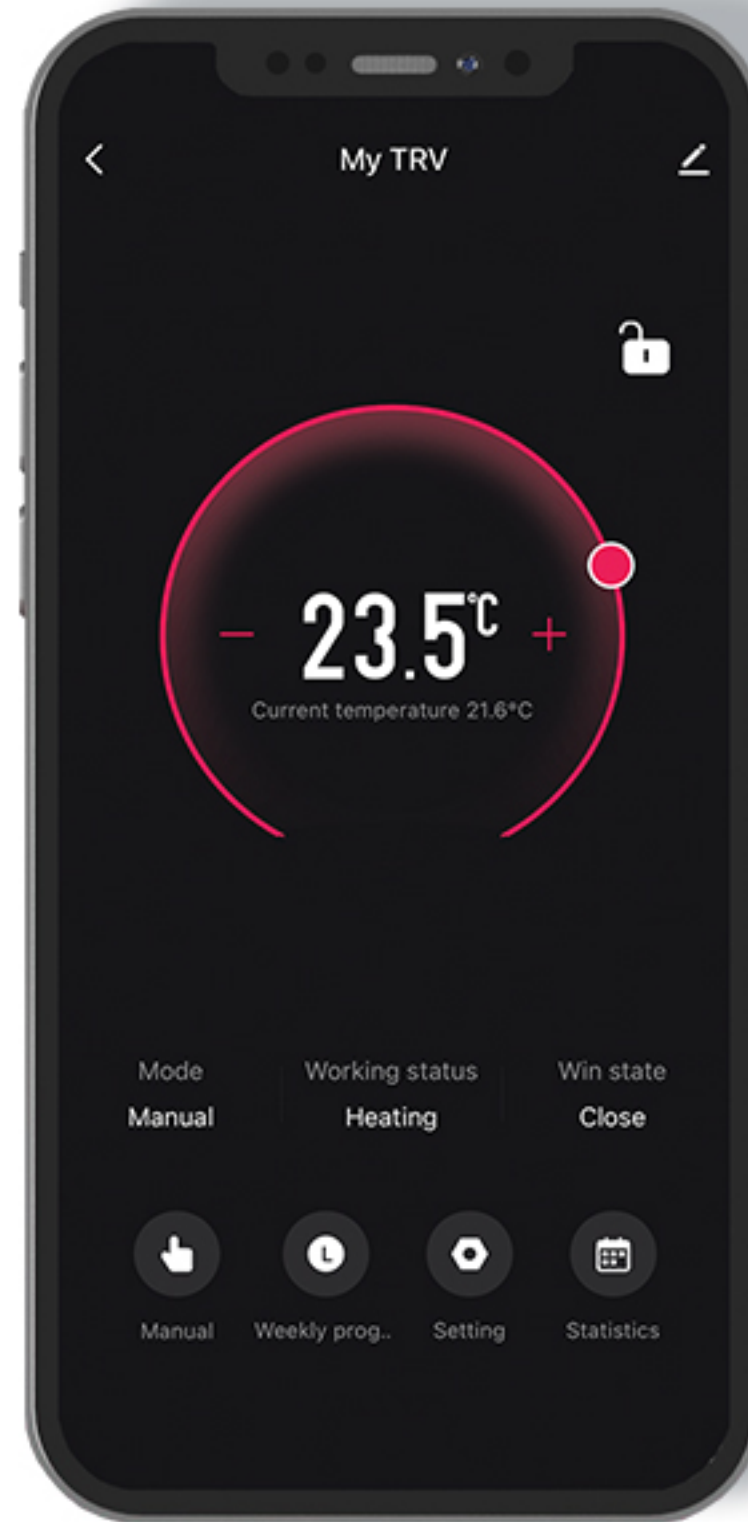
App Interface



Remote control of your thermostatic valve from your mobile phone via “Smart Life” or “Tuya Smart” App.



Works with voice assistant: Amazon Alexa, Google Home and Yandex Alice.



03

Accessories



WLN-03X



Application: Tuya or Smart Life Application

Wireless Connection: Zigbee

WiFi Frequency: 2.4Ghz

Adaptor Output: 5V1A

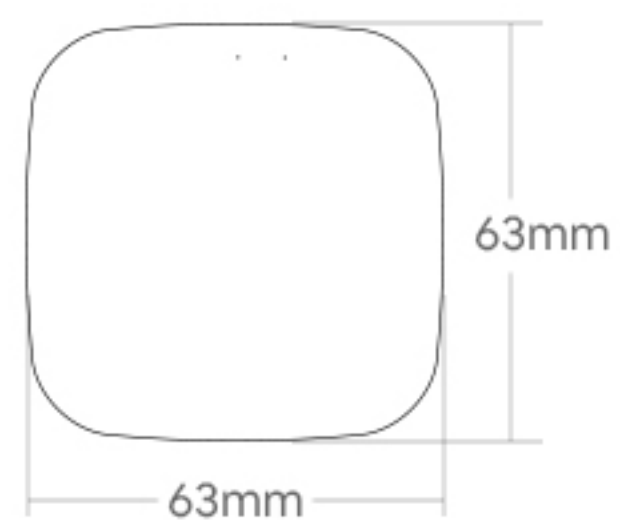
Working Current: <1A

Standby Quantity: 45 devices

Coverage Distance: 30m

Working Temperature: -10°C~55°C

Zigbee Protocol: 802.15.4



TRV



Thermostat



Switch



Smart Plug



Humidity Sensor



Lights



Door/Window Sensor



RED

Shenzhen POCE Technology Co., Ltd.
H Building, Hongfa Science and Technology Park,
Tangtou, Shiyao, Bao'an District, Shenzhen, China

CERTIFICATE OF CONFORMITY

Certificate No. : POCE18010823KCR
Applicant : Shanghai Book Controls Co., Ltd.
Address : Office 301-302, Block A, No.5 Sheswang Road, Shanghai city, China
Manufacturer : Shanghai Book Controls Co., Ltd.
Address : Office 301-302, Block A, No.5 Sheswang Road, Shanghai city, China
Product : WIFI Thermostat
Trade Name : N/A
Model(s) : TGT70W11-4IP, TGT70W11-WP, TGT70W11-WPB, TGT70W11-AC
Test Report No. : POCE18010823KCR
Test Standards : EN 62321-1:2013

The EUT described above has been tested by us with the listed standards and found in compliance with the council **RoHS Directive 2011/65/EU**. It is possible to use CE marking to demonstrate the compliance with this RoHS Directive.

CE

For Chief Executive: Jie Wang
Date: Jan. 12, 2018

This certificate of conformity is based on a single evaluation of the submitted sample(s) of the above mentioned product. It does not imply an assessment of the whole production and other relevant directives have to be observed.

Web: <http://www.poc-cert.com> Tel: +86-755-29113252 E-mail: service@poc-cert.com

NO.0174761

Shenzhen POCE Technology Co., Ltd.
H Building, Hongfa Science and Technology Park,
Tangtou, Shiyao, Bao'an District, Shenzhen, China

CERTIFICATE OF CONFORMITY

Certificate No. : POCE201221069VCR
Applicant : Shanghai Book Controls Co., Ltd.
Address : Rm301,Block A, No.5 Sheswang Road, Shanghai city, China
Manufacturer : Shanghai Book Controls Co., Ltd.
Address : Rm301,Block A, No.5 Sheswang Road, Shanghai city, China
Product : WIFI Thermostat
Trade Name : N/A
Model(s) : TR9B, TR9BWIFI
Test Report No. : POCE2012210596RR
Test Standards : IEC 62321-3-1:2013; IEC 62321-4:2013+A1:2017; IEC 62321-5:2013; IEC 62321-6:2015; IEC 62321-7-1:2015; IEC 62321-8:2017

The EUT described above has been tested by us with the listed standards and found in compliance with the council **RoHS Directive(EU) 2015/863 amending Annex II to Directive 2011/65/EU**. It is possible to use CE marking to demonstrate the compliance with this RoHS Directive.

CE

For Chief Executive: Jie Wang
Date: Dec. 21, 2017

This certificate of conformity is based on a single evaluation of the submitted sample(s) of the above mentioned product. It does not imply an assessment of the whole production and other relevant directives have to be observed.

Web: <http://www.poc-cert.com> Tel: +86-755-29113252 E-mail: service@poc-cert.com

NO.0174699

Shenzhen POCE Technology Co., Ltd.
H Building, Hongfa Science and Technology Park,
Tangtou, Shiyao, Bao'an District, Shenzhen, China

CERTIFICATE OF CONFORMITY

Certificate No. : POCE18010823KCR
Applicant : Shanghai Book Controls Co., Ltd.
Address : Office 301-302, Block A, No.5 Sheswang Road, Shanghai city, China
Manufacturer : Shanghai Book Controls Co., Ltd.
Address : Office 301-302, Block A, No.5 Sheswang Road, Shanghai city, China
Product : Thermal Actuator
Trade Name : N/A
Model(s) : RZ-AN230, RZ-AV230, RZ-DF230, RZ-BV230, RZ-BM230, RZ-AG230, RZ-AV230, RZ-AH230, RZ-AS230, RZ-AL230
Test Report No. : POCE18010823KCR
Test Standards : EN 62321-1:2013

The EUT described above has been tested by us with the listed standards and found in compliance with the council **RoHS Directive 2011/65/EU**. It is possible to use CE marking to demonstrate the compliance with this RoHS Directive.

CE

For Chief Executive: Jie Wang
Date: Jan. 12, 2018

This certificate of conformity is based on a single evaluation of the submitted sample(s) of the above mentioned product. It does not imply an assessment of the whole production and other relevant directives have to be observed.

Web: <http://www.poc-cert.com> Tel: +86-755-29113252 E-mail: service@poc-cert.com

NO.0174759

Shenzhen POCE Technology Co., Ltd.
H Building, Hongfa Science and Technology Park,
Tangtou, Shiyao, Bao'an District, Shenzhen, China

CERTIFICATE OF CONFORMITY

Certificate No. : POCE201222093NCW
Applicant : Shanghai Book Controls Co., Ltd.
Address : Rm301,Block A, No.5 Sheswang Road, Shanghai city, China
Manufacturer : Shanghai Book Controls Co., Ltd.
Address : Rm301,Block A, No.5 Sheswang Road, Shanghai city, China
Product Name : WIFI Thermostat
Model Name : TR9BWIFI, TR9B
Trade Name : N/A

Essential Requirement	Applied Specification/Standards	Documentary Evidence	Result
Art.3.1(a) Safety	EN 62360: 2012+A1: 2015	Test Report: POCE2012220933SR5	Conform
Art.3.1(b) EMC	ETSI EN 301 489-1 V2.2.3 ETSI EN 301 489-17 V3.2.4	Test Report: POCE201222091GRH	Conform
Art.3.1(c) Health	EN IEC 62311: 2020	Test Report: POCE201222092SRW	Conform
Art.3.2 Radio	ETSI EN 300328 V2.2.2	Test Report: POCE201222090MRW	Conform

The certificate is issued in accordance with the Radio Equipment Directive 2014/53/EU of 16 April 2014.

CE

For Chief Executive: Jie Wang
Date: Jan. 17, 2018

This certificate of conformity is based on a single evaluation of the submitted sample(s) of the above mentioned product. It does not imply an assessment of the whole production and other relevant directives have to be observed.

Web: <http://www.poc-cert.com> Tel: +86-755-29113252 E-mail: service@poc-cert.com

Shenzhen POCE Technology Co., Ltd.
H Building, Hongfa Science and Technology Park,
Tangtou, Shiyao, Bao'an District, Shenzhen, China

CERTIFICATE OF CONFORMITY

Certificate No. : POCE18010803HCT
Applicant : Shanghai Book Controls Co., Ltd.
Address : Office 301-302, Block A, No.5 Sheswang Road, Shanghai city, China
Manufacturer : Shanghai Book Controls Co., Ltd.
Address : Office 301-302, Block A, No.5 Sheswang Road, Shanghai city, China
Product : WIFI Thermostat
Trade Name : N/A
Model(s) : TDS21WIFI, TDS21WIFI, TDS25WIFI, TDS28WIFI, TOL313WIFI, TOL313WIFI, BOT313WIFI, BOT313WIFI
Test Standards : EN 60950-1:2006+A11:2009 +A1:2010+A12:2011+A2:2013
EN 60950-1:2006+A11:2009 +A1:2010+A12:2011+A2:2013
ETSI EN 301 489-1 V2.2.0
ETSI EN 301 489-17 V3.2.0
ETSI EN 300 328 V2.1.1

Essential Requirement	Applied Specification/Standards	Documentary Evidence	Result
Art.3.1(a) Health	EN62479 2010	Test report: POCE180108024BRP	Conform
Art.3.1(a) Safety	EN 60950-1:2006+A11:2009 +A1:2010+A12:2011+A2:2013	Test report: POCE18010803HBS	Conform
Art.3.1(b) EMC	ETSI EN 301 489-1 V2.2.0 ETSI EN 301 489-17 V3.2.0	Test report: POCE18010814NRE	Conform
Art.3.2 Radio	ETSI EN 300 328 V2.1.1	Test report: POCE180108075RF	Conform

The certificate is issued in accordance with the Radio Equipment Directive 2014/53/EU of 16 April 2014.

CE

For Chief Executive: Jie Wang
Date: Jan. 15, 2018

This certificate of conformity is based on a single evaluation of the submitted sample(s) of the above mentioned product. It does not imply an assessment of the whole production and other relevant directives have to be observed.

Web: <http://www.poc-cert.com> Tel: +86-755-29113252 E-mail: service@poc-cert.com

NO.0174699

Shenzhen POCE Technology Co., Ltd.
H Building, Hongfa Science and Technology Park,
Tangtou, Shiyao, Bao'an District, Shenzhen, China

CERTIFICATE OF CONFORMITY

Certificate No. : POCE18010809ACS
Applicant : Shanghai Book Controls Co., Ltd.
Address : Office 301-302, Block A, No.5 Sheswang Road, Shanghai city, China
Manufacturer : Shanghai Book Controls Co., Ltd.
Address : Office 301-302, Block A, No.5 Sheswang Road, Shanghai city, China
Product : Thermal Actuator
Trade Name : N/A
Model(s) : RZ-AN230, RZ-AV230, RZ-DF230, RZ-BV230, RZ-BM230, RZ-AG230, RZ-AV230, RZ-AH230, RZ-AS230, RZ-AL230
Test Report No. : POCE18010809ACS
Test Standards : EN 60950-1:2006+A11:2009+A1:2010+A12:2011+A2:2013

The EUT described above has been tested by us with the listed standards and found in compliance with the council **LVD Directive 2014/35/EU**. It is possible to use CE marking to demonstrate the compliance with this LVD Directive.

CE

For Chief Executive: Jie Wang
Date: Jan. 17, 2018

This certificate of conformity is based on a single evaluation of the submitted sample(s) of the above mentioned product. It does not imply an assessment of the whole production and other relevant directives have to be observed.

Web: <http://www.poc-cert.com> Tel: +86-755-29113252 E-mail: service@poc-cert.com

171979

Shenzhen POCE Technology Co., Ltd.
H Building, Hongfa Science and Technology Park,
Tangtou, Shiyao, Bao'an District, Shenzhen, China

CERTIFICATE OF CONFORMITY

Certificate No. : POCE17010416JCE
Applicant : Shanghai Book Controls Co., Ltd.
Address : Rm 301, Block A, No.5 Sheswang Road, Shanghai City China
Manufacturer : Shanghai Book Controls Co., Ltd.
Address : Rm 301, Block A, No.5 Sheswang Road, Shanghai City China
Product : Room Thermostat
Trade Name : N/A

The EUT described above has been tested by us with the listed standards and found in compliance with the council **RoHS Directive 2011/65/EU**. It is possible to use CE marking to demonstrate the compliance with this RoHS Directive.

CE

For Chief Executive: Jie Wang
Date: Jan. 15, 2018

This certificate of conformity is based on a single evaluation of the submitted sample(s) of the above mentioned product. It does not imply an assessment of the whole production and other relevant directives have to be observed.

Web: <http://www.poc-cert.com> Tel: +86-755-29113252 E-mail: service@poc-cert.com

Shenzhen POCE Technology Co., Ltd.
H Building, Hongfa Science and Technology Park,
Tangtou, Shiyao, Bao'an District, Shenzhen, China

CERTIFICATE OF CONFORMITY

Certificate No. : POCE18010803HCT
Applicant : Shanghai Book Controls Co., Ltd.
Address : Office 301-302, Block A, No.5 Sheswang Road, Shanghai city, China
Manufacturer : Shanghai Book Controls Co., Ltd.

The EUT described above has been tested by us with the listed standards and found in compliance with the council **LVD Directive 2014/35/EU**. It is possible to use CE marking to demonstrate the compliance with this LVD Directive.

CE

For Chief Executive: Jie Wang
Date: Jan. 15, 2018

This certificate of conformity is based on a single evaluation of the submitted sample(s) of the above mentioned product. It does not imply an assessment of the whole production and other relevant directives have to be observed.

Web: <http://www.poc-cert.com> Tel: +86-755-29113252 E-mail: service@poc-cert.com

Our Warehouse

Shipping from China, we support shipping by sea, by air, or international express, such as DHL, FedEx, etc.



Exported to **120+**
countries and regions



Our Factory





Contact Us

Shanghai Beok Controls Co.,Ltd

Shine Wang

+86-21-33880317

shine.wang@beok-controls.com

www.beok-controls.com

